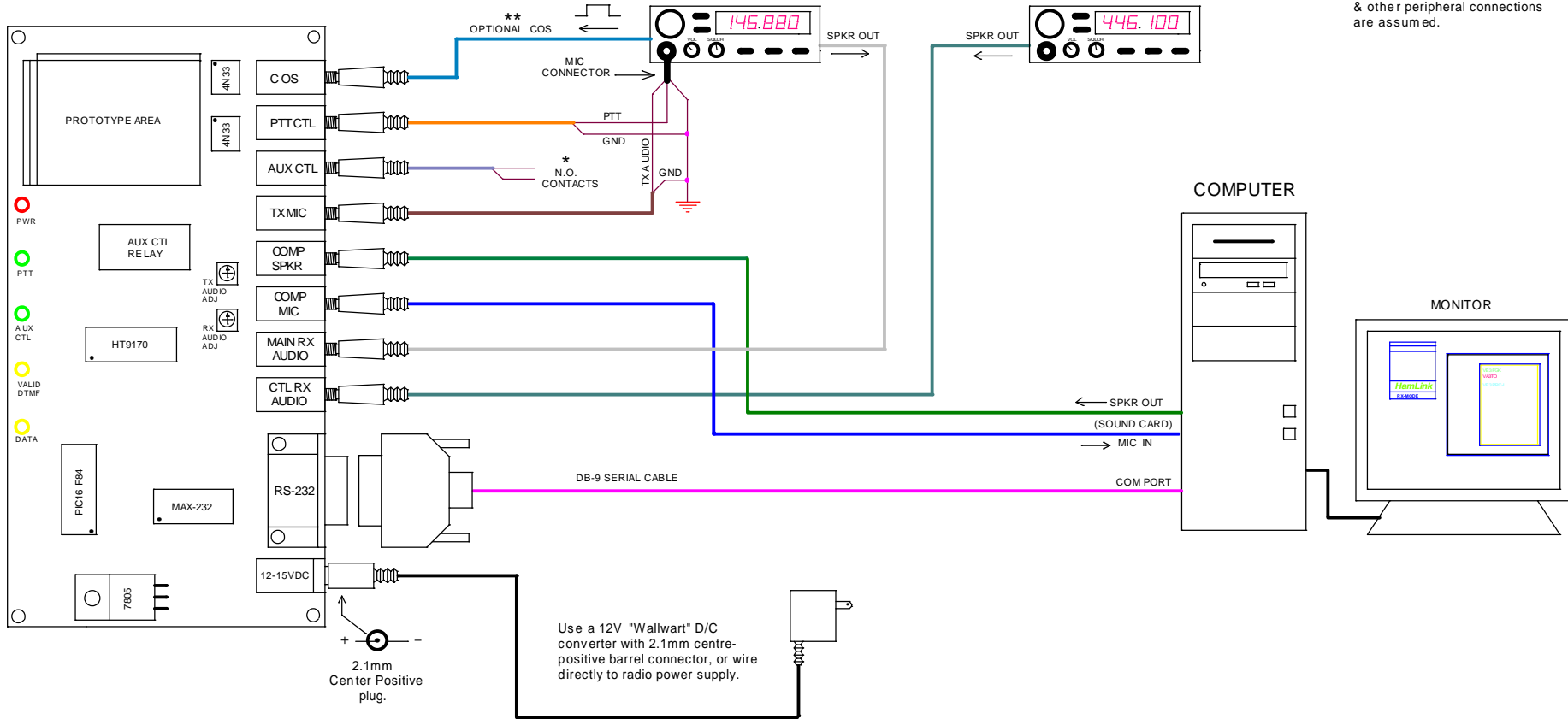


VA3TO LINKING INTERFACE

MAIN LINK TRANSCEIVER

CONTROL RECEIVER / SCANNER

For the purpose of clarity, transceiver power & antenna connections, and computer power & other peripheral connections are assumed.



* ISOLATED NORMALLY OPEN AUXILIARY CONTROL CONTACTS. Controlled by DTMF "C" (ON) and "D" (OFF), may be used to turn on/off any desired peripheral.

** OPTIONAL COS

Linking software can be configured to use a hard RX COS signal instead of VOX, for more positive switching. Some radios provide a ready COS signal, others will require the signal to be picked off internally, i.e. from an LED, Squelch pot or some other signal that switches when the squelch changes state. Signal should be Active-Hi (Hi when squelch open) at 2 to 5 vdc. Modify radio at your own risk.

(NOT TO SCALE)

Schematic Capture: H.Duff VA3TO www.iLINKca.com			
Title: VA3TO V2.1 HOOKUP DIAGRAM			
Size B	Document Number <Doc>	Rev v2.1	
Date: Monday, October 07, 2002	Sheet 1	of 2	